
SPECIFICATION
SILVER OXIDE BATTERY
SR927SW

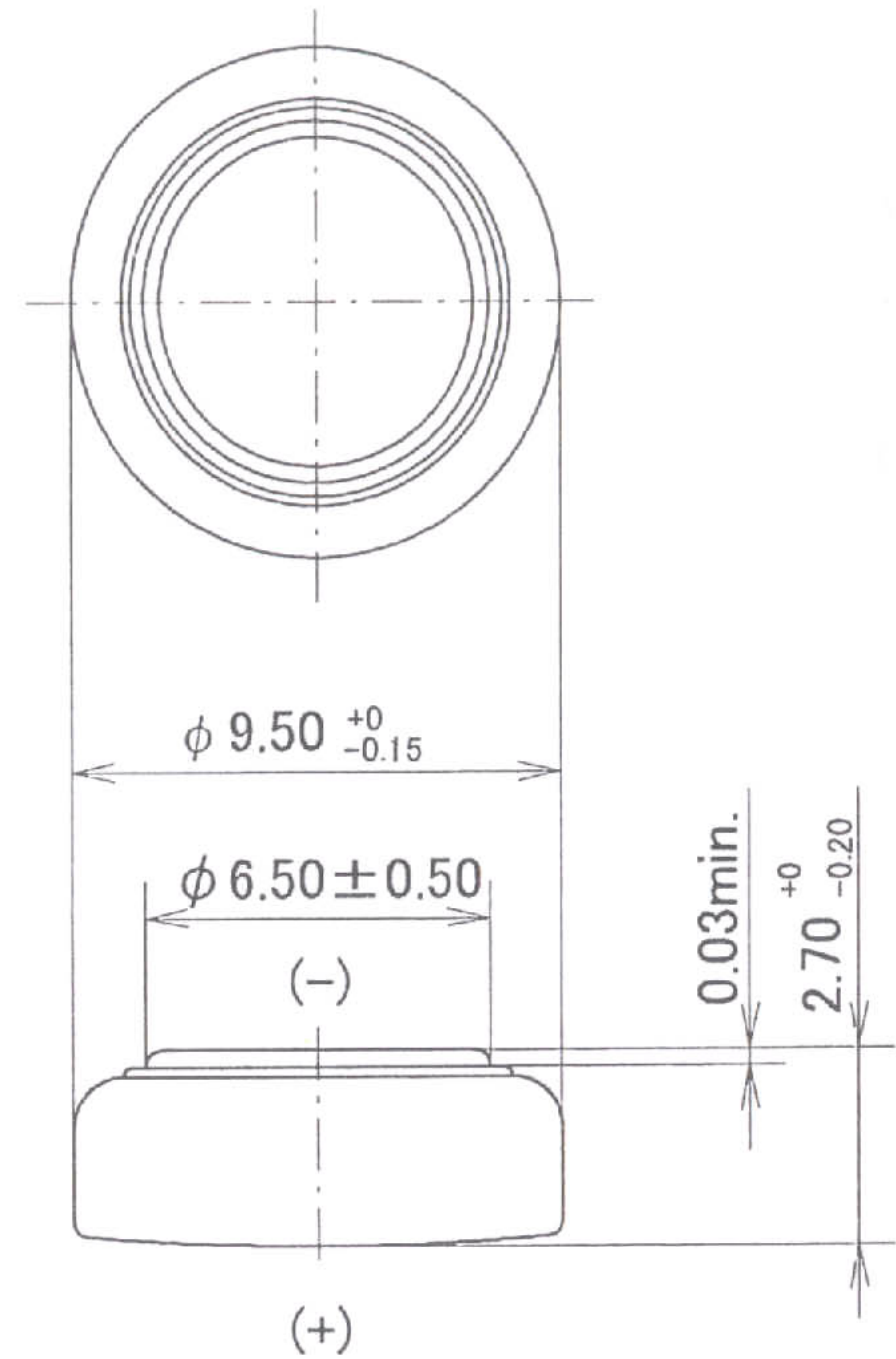
MATSUSHITA BATTERY INDUSTRIAL CO., LTD.
LITHIUM AND MICRO BATTERY BUSINESS UNIT



SPECIFICATION

Silver Oxide Battery SR927SW

1. Model No. : SR927SW
2. Nominal Voltage : 1.55 V
3. Nominal Capacity : 55.0 mAh
4. Weight : 0.80g
5. Dimension : Shown in Figure
6. Terminals : Shown in Figure
7. Characteristics
 - 7.1 Off-Load Voltage : Shown in Table
 - 7.2 On-Load Voltage : Shown in Table
 - 7.3 Hours of Service : Shown in Table
 - 7.4 Leakage :
 Battery does not show leakage or salting which harms performance after 30 days storage at $45 \pm 2^\circ\text{C}$ 70%R.H..
 This is checked with the naked eyes.
8. Appearance :
 Any dirt, scratch or deformation which cause any trouble at usage, does not show on the battery
9. Note :
 Handling care is specified in IEC. Pub. 60086-1-9.



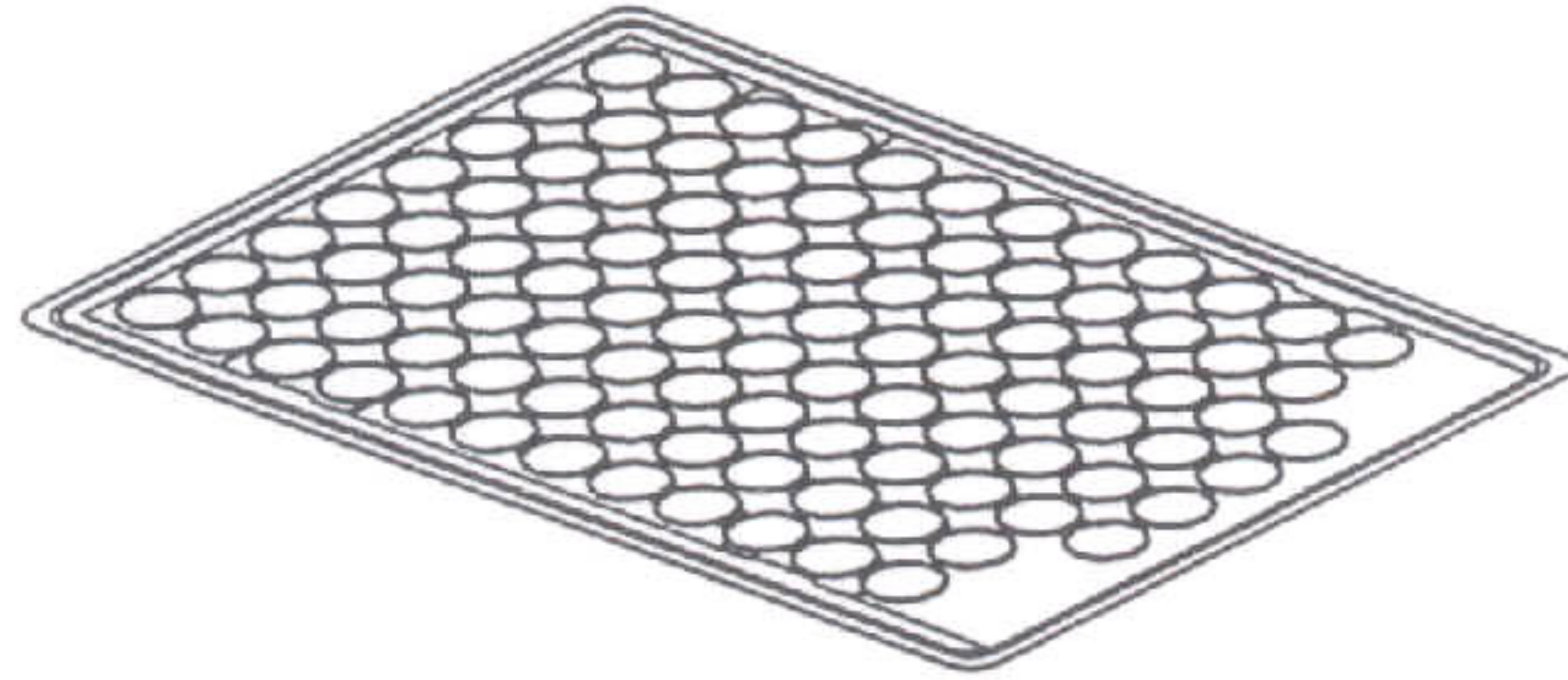
unit : mm

	ITEM	Initial	After 60°C 20days	After 60°C 40days
1	Off-Load Voltage at 23°C (Min. V)	1.55V	-	-
2	On-Load Voltage at -10°C (Min. V) Load : 2kΩ (After 7.8ms)	1.20V	-	-
3	Average Hours of Service at 23°C Load : 15kΩ (Cut Voltage : 1.2V)	540h	530h	520h
2				
1				
Sym.	Date of Revision	Remarks		
	Date of Approval Dec. 19. 2002	Approved 	Checked 	Described

1-Product. (Silver Dioxide Battery.)

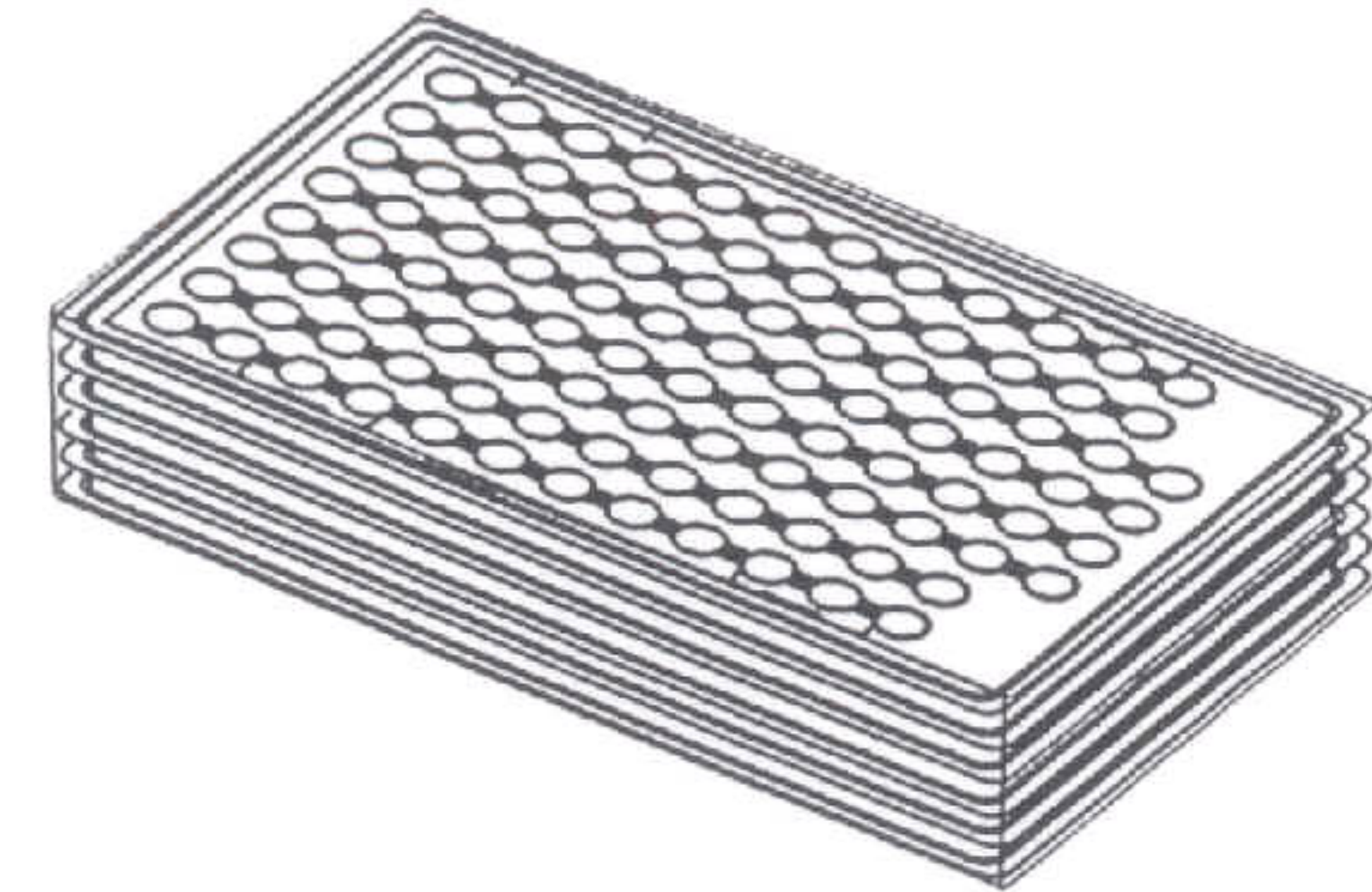
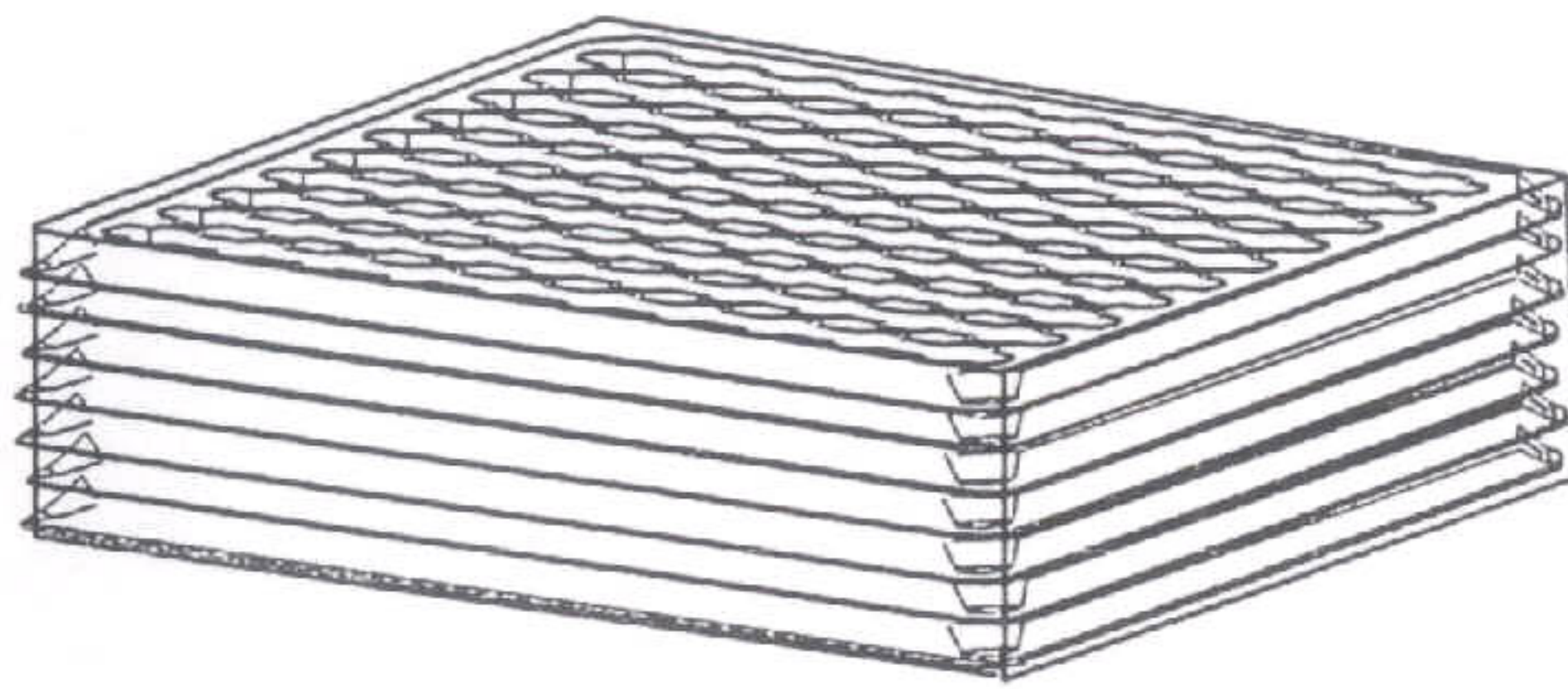
- 1.SR936SW (Order No:SR-936SW/BTE)
- 2.SR927W (Ouder No:SR-927WPA/T)
- 3.SR927SW (Ouder No:SR-927SWPA/T)
- 4.SR916W (Ouder No:SR-916WPA/T)

2-100pcs-tray (φ9-Type)

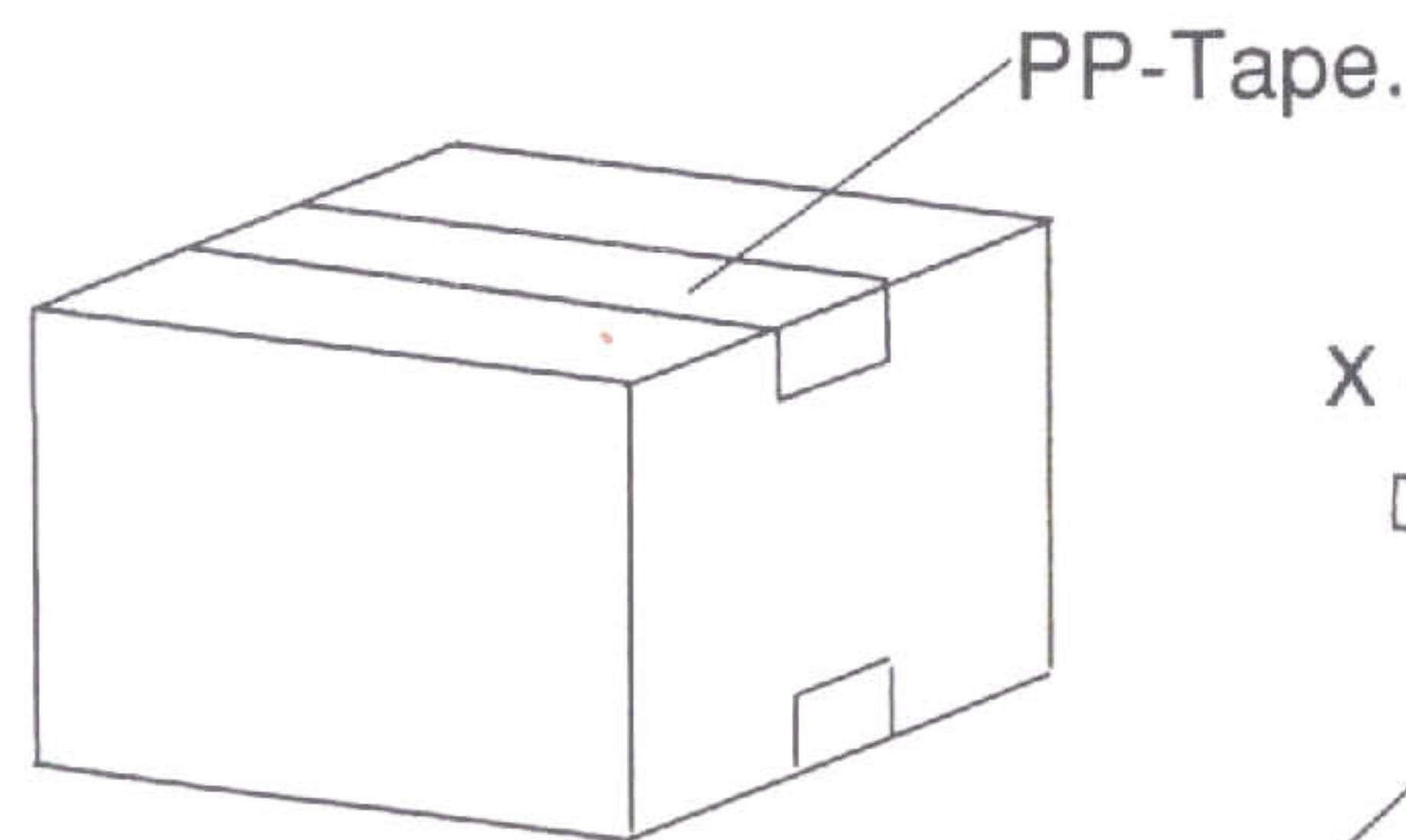


x 5+1 (empty tray as lid)

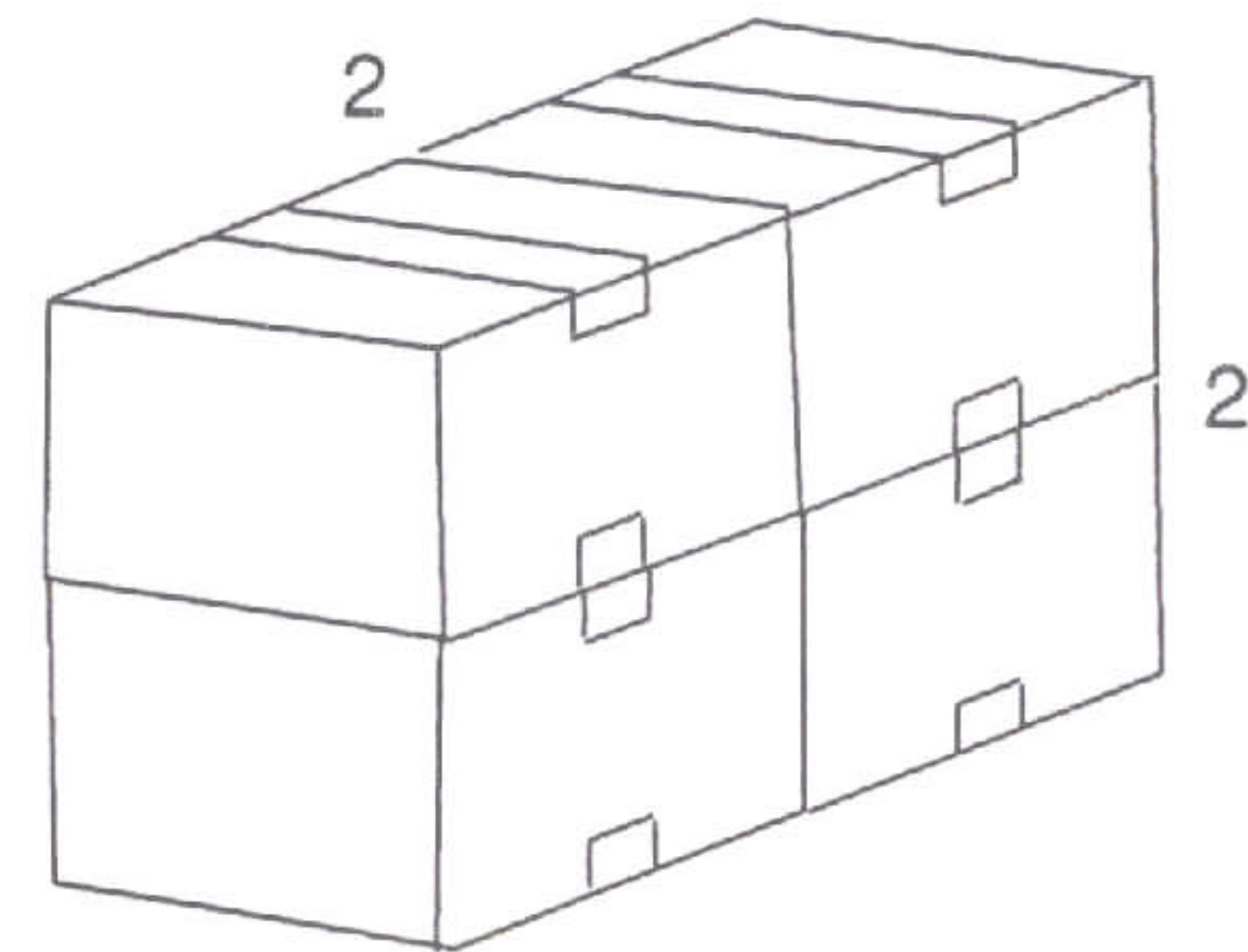
3-500pcs-middle (Shrink Pack)



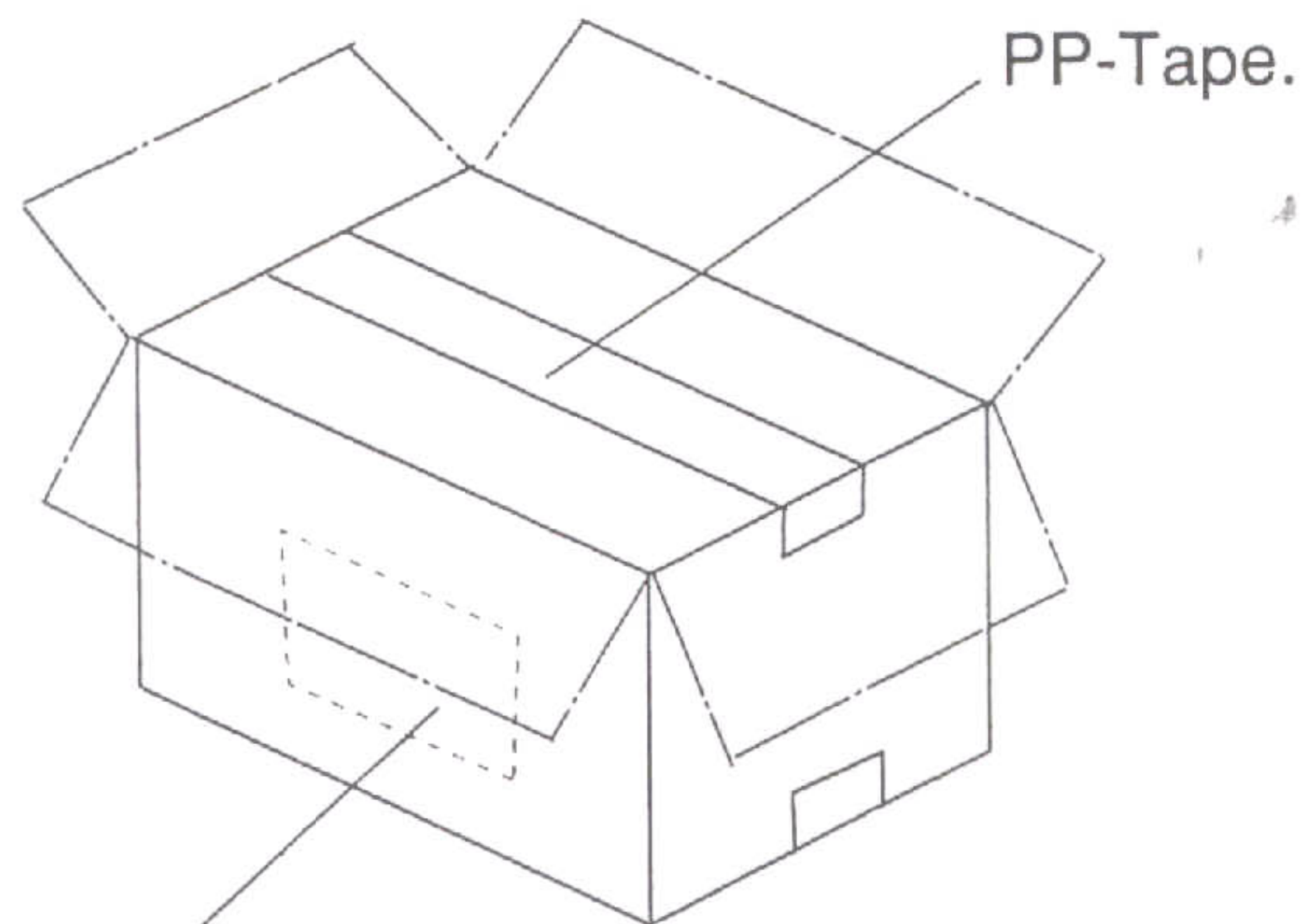
4-2,000pcs-Inner Carton .



x 4 case.



5-8,000pcs-Outer Packaging Carton.



Case marking.

Packing List

Outer Size:320x230x320mm
(0.0023552 m³)

< SR936SW >	Net : 8.6kg (1.07g/□) Gross: 11.1kg
< SR927W >	Net : 11.7kg (1.46g/□) Gross: 14.2kg
< SR927SW >	Net : 13.4kg (1.68g/□) Gross: 15.9kg
< SR916W >	Net : 8.8kg (1.1g/□) Gross: 11.3kg